

Specifications

For other materials or modifications, please consult TESCOM.

OPERATING PARAMETERS

Pressure rating per criteria of ANSI/ASME B31.3

Maximum Inlet Pressure	15,000 psig / 1034 bar
Maximum Outlet Pressure	200-15,000 psig / 13.8-1034 bar (non-adjustable spring bias pressure: 175-200 psig / 12-13.8 bar)
Design Proof Pressure	150% maximum rated
Leakage	Bubble-tight
Operating Temperature	-15°F to 165°F / -26°C to 74°C
Flow Capacity	See table

MEDIA CONTACT MATERIALS

Body	316 Stainless Steel, Nitronic 60
Seat, Main Valve	Polyimide (Vespel® SP21), 17-4 Stainless Steel
O-Ring	FFKM, Perfluoroelastomer (Kalrez®)
Back-up Ring	PCTFE, PTFE
Remaining Parts	300 Series Stainless Steel, 17-4 PH Stainless Steel and Nitronic 60

OTHER

Cleaning	CGA 4.1 and ASTM G93
Weight (approximate)	56-21XX: 18.26 lbs / 8.28 kg 56-22XX: 9.09 lbs / 4.12 kg 56-30XX: 34.8 lbs / 15.8 kg 56-32XX: 43.0 lbs / 19.5 kg

Teflon®, Vespel® and Kalrez® are registered trademarks of E.I. du Pont de Nemours and Company.

Features and Benefits

- Accurate and consistent flow control reduces the risk of flow assurance issues from over and under injection
- High-quality piston-sensed components for longevity in offshore applications reduce maintenance costs and unplanned downtime
- Alternative options for full automation of injection rate control with the addition of the ER5000

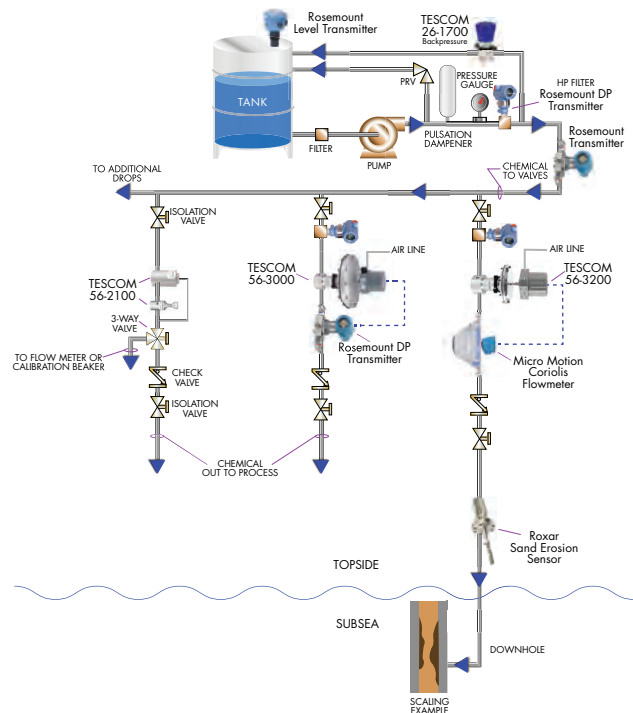


TESCOM 56 Series provides accurate flow control that allows customers to have consistent injection rates over the life of the well. Manually-controlled and electronically-controlled versions are available.

Applications

- Offshore Chemical Injection
- Process Flow Control

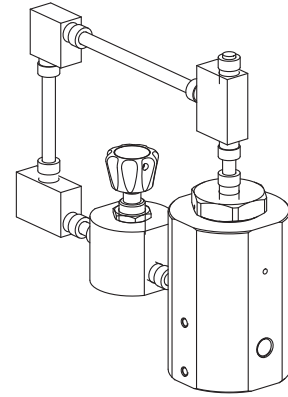
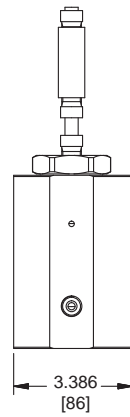
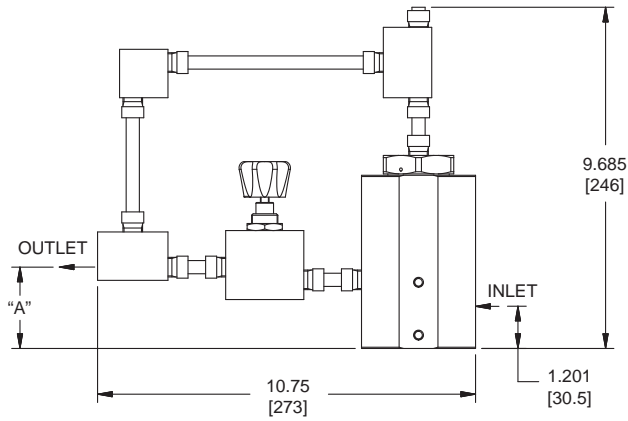
Typical Application



56 SERIES

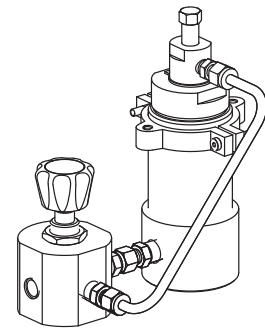
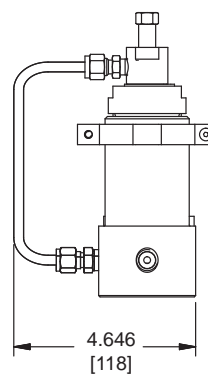
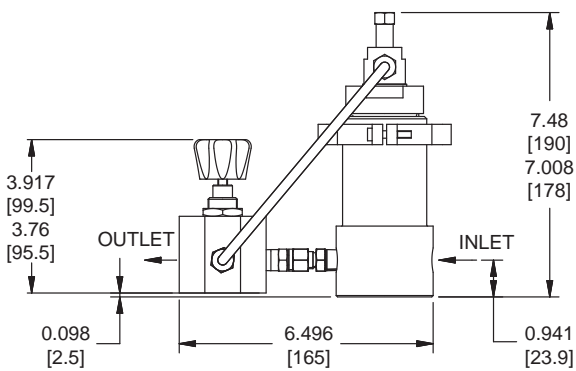
56 Series Regulator Drawing

56-21XX



VALVE	"A" DIMENSION
56-2100	2.311 [58.7]
56-2101	1.949 [49.5]

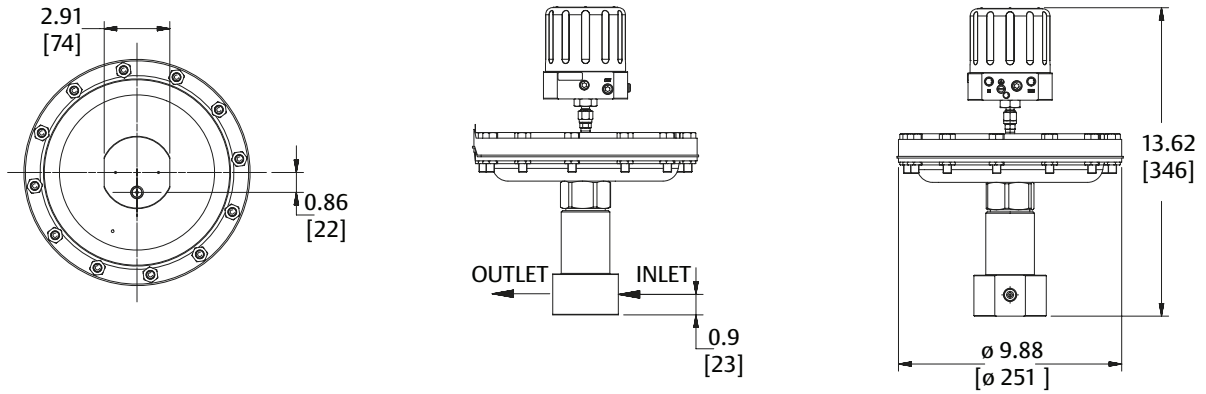
56-22XX



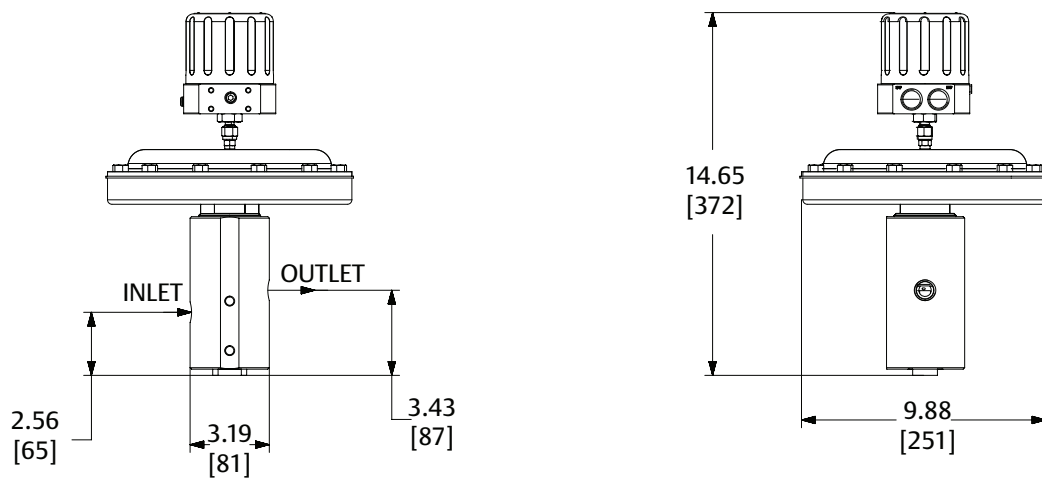
All dimensions are reference & nominal
Metric [millimeter] equivalents are in brackets

56 Series Regulator Drawing

56-30XX



56-32XX



All dimensions are reference & nominal
Metric [millimeter] equivalents are in brackets

56 SERIES

56 Series Regulator Part Number Selector

Repair Kits, Accessories & Modifications may be available for this product. Please contact TESCOM for more information.

PART NUMBER	MAXIMUM INLET PRESSURE	MAXIMUM OUTLET PRESSURE	MINIMUM DIFFERENTIAL	MAXIMUM DIFFERENTIAL	INLET AND OUTLET PORT SIZE	MINIMUM FLOW RATE	MAXIMUM FLOW RATE
56-2100	15,000 psig 1034 bar	15,000 psig 1034 bar	175 psig 12 bar	12,500 psig 862 bar	3/8"	0.04 gpm 0.1514 l/min	1.20 gpm 4.542 l/min
56-2101	15,000 psig 1034 bar	15,000 psig 1034 bar	175 psig 12 bar	12,000 psig 827 bar	3/8"	0.0004 gpm 0.001514 l/min	0.20 gpm 0.7571 l/min
56-2200	10,000 psig 689 bar	4,000 psig 275 bar	175 psig 12 bar	9,000 psig 620 bar	1/4"	0.005 gpm 0.01893 l/min	0.16 gpm 0.6057 l/min
56-2201	10,000 psig 689 bar	4,000 psig 275 bar	175 psig 12 bar	9,000 psig 620 bar	1/4"	0.1 gpm 0.3785 l/min	2.28 gpm 8.631 l/min
56-3000	15,000 psig 1034 bar	15,000 psig 1034 bar	175 psig 12 bar	12,500 psig 862 bar	3/8" M.P.	0.04 gpm 0.1514 l/min	0.25 gpm 0.95 l/min
56-3200	8,000 psig 551 bar	8,000 psig 551 bar	175 psig 12 bar	7,600 psig 524 bar	1/2" NPT	3.00 gpm 11.36 l/min	30.00 gpm 113.56 l/min